



# Manure Spreader



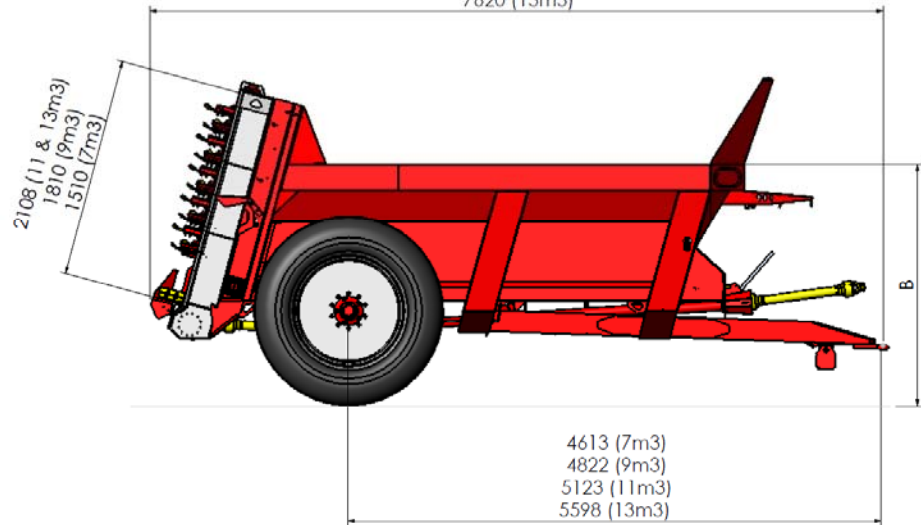
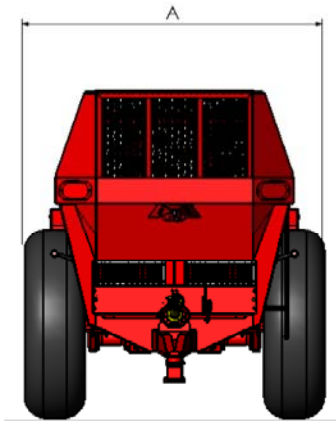
[www.nc-engineering.com](http://www.nc-engineering.com)

- Heavy duty monocoque body construction
- Variable speed floor chains (electric control option)
- 4 No stress relieved 14x50 chains on 9-15m<sup>3</sup> / 2 No stress relieved 14x50 chains on 7m<sup>3</sup> (200KN breaking strain each)
- Floor chains protected by a cross-line relief valve
- Galvanised quick attach floor slats (no welding to the chain)
- Galvanised rear vertical auger frame
- Dynamically balanced twin vertical rotors with reversible hardox blades
- 12mm Thick auger flights
- Heavy duty 8 or 10 stud Axles with hydraulically operated brakes/ Optional Air brakes
- Full road lighting (with automatic covers to lights when spreading with slurry door fitted)
- Remote greasing for drive shaft & auger bearings
- Hydraulically operated slurry door (optional)
- Wide angle PTO with shear bolt (slip clutch option)





6330 (7m3)  
6660 (9m3)  
7020 (11m3)  
7620 (13m3)

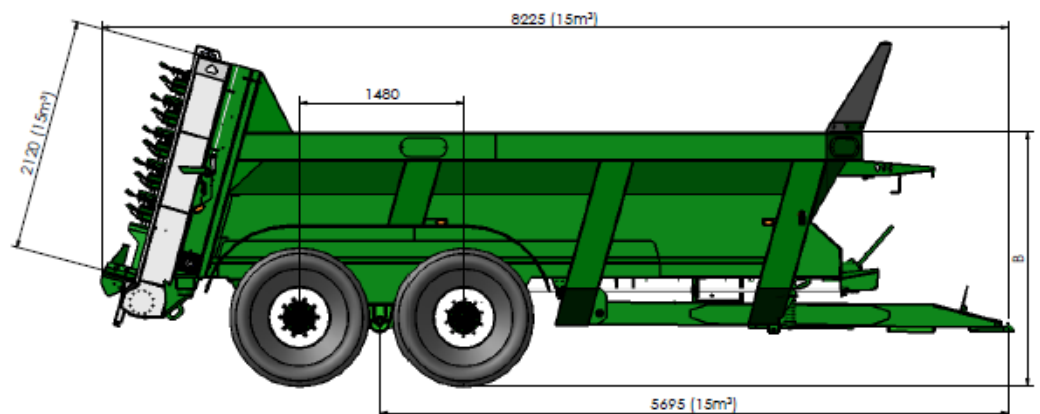
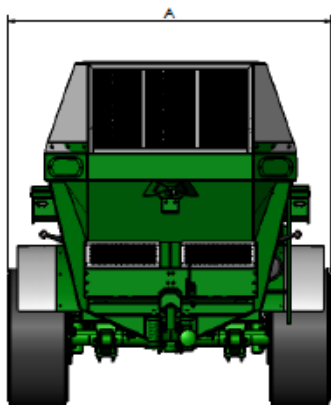


4613 (7m3)  
4822 (9m3)  
5123 (11m3)  
5598 (13m3)

Model	7m3	9m3	11m3	13m3
Rated load carrying capacity	6000 kg	8000 kg	10000 kg	12000 kg
Capacity (heaped)	7m3	9m3	11m3	13m3
Spread width	Up to 16m	Up to 16m	Up to 16m	Up to 16m
Axle Beam Size	90mm	150mm	150mm	150mm
Brake Size	400 x 80	420 x 180	420 x 180	420 x 180
A(Width)	2550mm (8' 4")	2687mm (8' 10") 2877mm (9' 5 1/4")*	2877mm (9' 5 1/4") 2990mm (9' 9 3/4")* TBC	2990mm (9' 9 3/4") TBC* TBC
Tyre Size	420/85/R34 (Std)	18.4/34 14Ply (Std) 580/70 R38(option)*	580/70 R38 (Std) 650/75 R32 (option)* 750/60 R30.5 (option)	650/75 R32 (Std) 750/60 R30.5 (option)* 850/50 R30.5 (option)
Body Size L x W x H (internal)	3490 x 1500 x 755mm	4400 x 1500 x 910mm	4750 x 1500 x 1110mm	5350 x 1500 x 1110mm
B(Side Loading Height)	1785	1960	2200	2200
Floor Drive	Hydraulic	Hydraulic	Hydraulic	Hydraulic
Floor Drive control	Hydraulic Variable c/w reverse Electric Option	Hydraulic Variable c/w reverse Electric Option	Hydraulic Variable c/w reverse Electric Option	Hydraulic Variable c/w reverse Electric Option
Floor Chain Size	14 x 50mm	14 x 50mm	14 x 50mm	14 x 50mm
No of Floor Chains	2	4	4	4
PTO input speed	1000rpm	1000rpm	1000rpm	1000rpm
Un-laden Weight	Approx. 4200kg	Approx. 4930kg	Approx. 5150kg	Approx. 5500kg

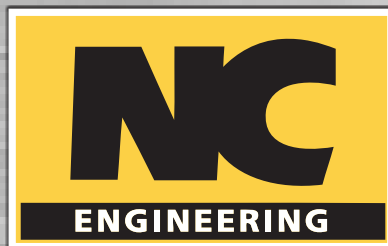
- Heavy duty monocoque body construction
- Variable speed floor chains (electric control option)
- 4 No. stress relieved 14x50 chains on 15m<sup>3</sup>
- Floor chains protected by a cross-line relief valve
- Galvanised quick attach floor slats (no welding to the chain)
- Galvanised rear vertical auger frame
- Dynamically balanced twin vertical rotors with reversible Hardox blades
- 12mm Thick auger flights
- Heavy duty 8 or 10 stud Axles with hydraulically operated brakes/ Optional Air brakes
- Full road lighting (with automatic covers to lights when spreading with slurry door fitted)
- Remote greasing for drive shaft & auger bearings
- Hydraulically operated slurry door (optional)
- Wide angle PTO with shear bolt (slip clutch option)





Model	15m3
Rated load carrying capacity	14000 kg
Capacity (heaped)	15m3
Spread width	Up to 16m
Axle Beam Size	Ø127mm
Brake Size	420x180
A(Width)	2900mm (9'6")
Tyre Size	560/60 R22.5 (Std) 600/55 R26.5 cross Ply(option) 600/55 R26.5 Radial(option)
Body Size L x W x H (internal)	5900 x 1500 x 1140mm
B(Side Loading Height)	2400
Floor Drive	Hydraulic
Floor Drive control	Hydraulic Variable c/w reverse Electric Option
Floor Chain Size	14 x 50mm
No of Floor Chains	4
PTO input speed	1000rpm
Un-laden Weight	Approx. 7500kg

# Notes



## Optional Extras

---

Dual Air/Hydraulic Brakes Single Axle  
Dual Air/Hydraulic Brakes Tandem Axle  
Air only brakes  
Hydraulic Sliding Door with Power Folding Lights  
Electric Floor Speed Control  
Power Folding Lights if no Slurry Door is fitted  
Sprung Drawbar  
Auto reset (slip clutch) overload PTO shaft in lieu  
off wide angled PTO shaft  
Weight Cells NB: can only be fitted if Sprung  
Drawbar is fitted  
8" Steel Greedy Boards (Sizes up to 13m<sup>3</sup>)  
Hydraulic folding 8" steel side in lieu of standard  
(per side) ...  
8" Wooden Greedy Boards (Sizes up to 13m<sup>3</sup>)  
LED Control Kit  
Screw Jack (Haacon)  
Galvanised Mudguards  
Side marker lights  
Number plate lights  
Alternative wheel colour to standard 'silver'  
All other colours

### Revision.01

In accordance with our policy of continued development we reserve the right to alter specification and design without notice.



NC Engineering (Hamiltonsbawn) Ltd  
2 Killyrudden Road  
Hamiltonsbawn  
Co. Armagh  
Northern Ireland  
BT61 9SF

Tel: 028 38 871970  
Fax: 028 38 870362

[www.nc-engineering.com](http://www.nc-engineering.com)

