



ST10

(STAGE 3A)

CAPACITY:

Max Safe Load 10000kg
 Heaped 5070L
 Struck: 4140L
 Water: 2400L

ENGINE:

JCB444T 4 cylinder Turbo
 Displacement: 4.4L
 Max. power: 85 kW/114bhp @ 2200rpm
 Max. torque: 440Nm @ 1300rpm
 Fuel: Diesel
 Emissions: 97/68/EG

TRANSMISSION:

Torque Converter c/w 4 speed forward and reverse power shuttle transmission
 Permanent 4 wheel drive

DRIVE CHARACTERISTICS:

Forward / Reverse	1st	0-4.9 km/h	(0-3.1 mph)
	2nd	0-7.0 km/h	(0-4.9 mph)
	3rd	0-16.9 km/h	(0-10.6 mph)
	4th	0-32 km/h	(0-20 mph)

Steering Angle +/- 31°
 Turning Circle: 12.42m
 Grade-ability: 50%
 Tyres: 500/60 R22.5 (Traction Profile)
 Steering: Priority load sensing hydrostatic centre pivot
 Working brakes: Multi-plate oil immersed discs mounted on both axles
 Park brake: Hand operated, locking on dry disc acting on gearbox

NOISE LEVELS:

LWA 103dB(A)
 LPA 85dB(A)

TANK CAPACITIES:

Fuel: 70L
 Hydraulic: 70L

SKIP:

Manufactured from higher tensile steels
 Hydraulically operated tipping 80°
 Heavy duty fully welded skip with 8mm thick steel base, reinforced upper side walls for greater strength

ELECTRICAL INSTALLATION:

Heavy duty 60045 Battery: 12V, 185Ah 1000cca
 Wiring harness in protective sleeving
 Reversing alarm

HYDRAULICS:

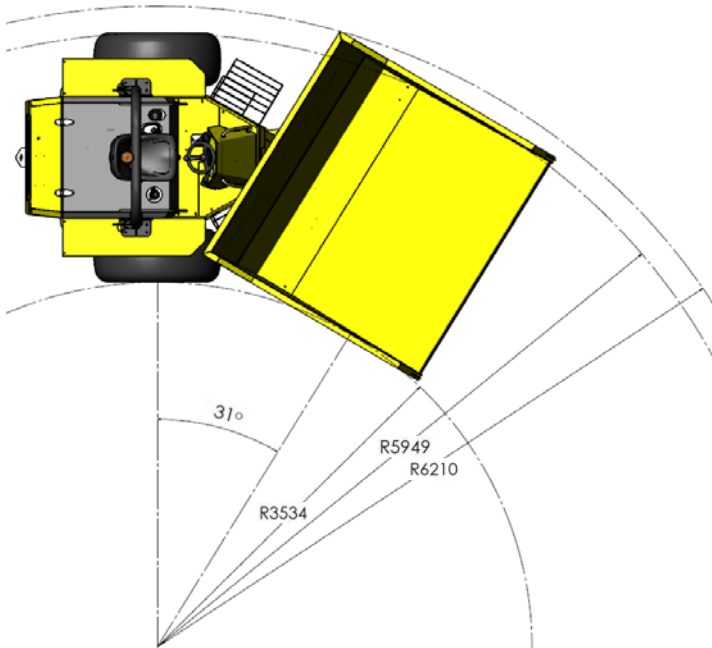
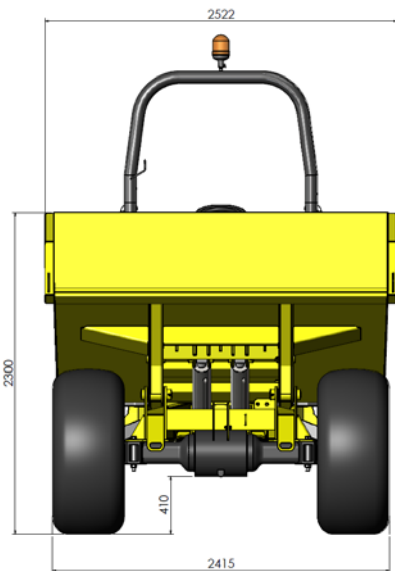
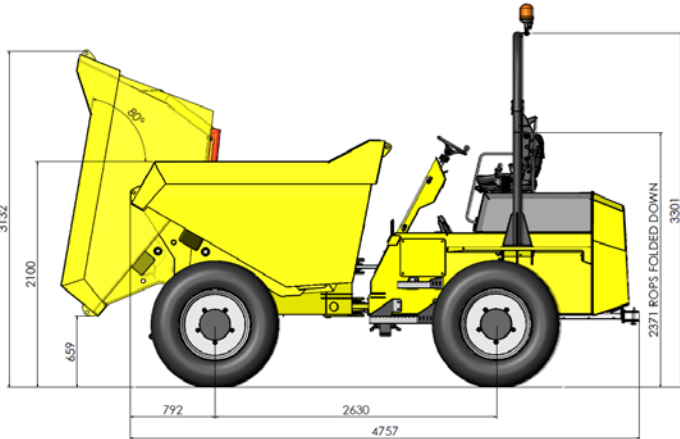
Hydraulic test points fitted as standard
 Easy access return oil filter on top of tank

SEATING & CONTROLS

Adjustable suspension seat accessible from both sides
 Clear access across dumper via galvanised steps
 Extra wide brake pedal
 Super bright warning lights and fuel gauge
 Steel constructed centre console for extra leg protection
 Operator level gear selection lever with integrated clutch button
 Column mounted directional control lever
 Anti-slip floor

SERVICE ACCESS:

Easy access for service & maintenance
 Lockable hinged engine cover
 Battery mounted securely under engine cover



NC Engineering (Hamiltonsbawn) Ltd
 2 Killyrudden Road, Hamiltonsbawn
 Richhill, Co Armagh
 Northern Ireland BT61 9SF

Tel: +44 (0) 28 3887 1970
 Fax: +44 (0) 28 3887 0362

Email: sales@nc-engineering.com
 Web: www.nc-engineering.com